

Allied Export

Please find below a selection of our fast moving products, for full product list and further information please get in touch with us on +44 (0)1925 232662 or email us at mail@alliedexport.co.uk

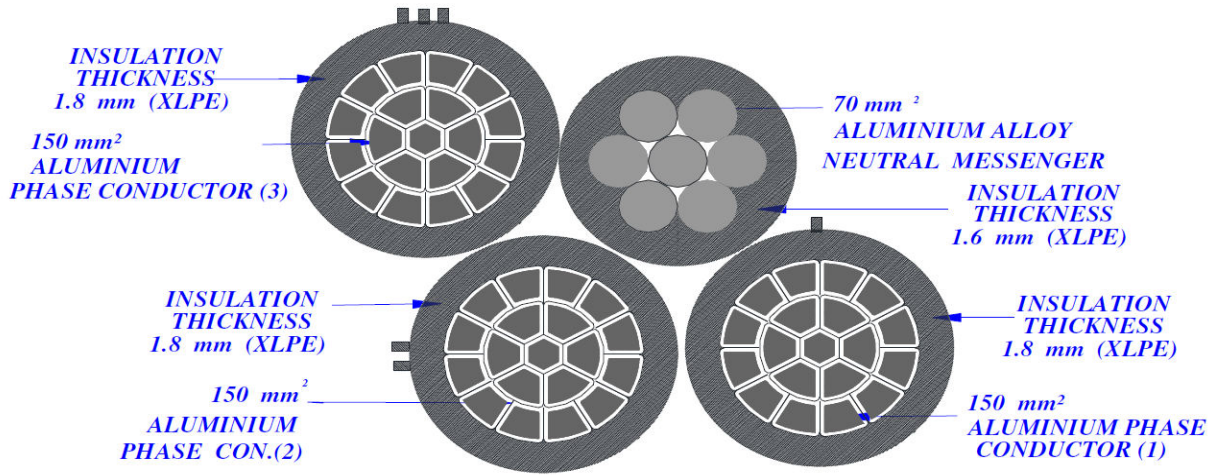
3 x 150 + 1 x 70mm² Aerial Bundled Conductors

1	Applicable Standards		→	NFC 33-209	
2	Number of Strands in				
	i. Phase Conductors		→	19	
	ii. Neutral Messenger		→	7	
3	Nominal Cross Sectional Area of				
	i. Phase Conductors		→	150	mm
	ii. Neutral Messenger		→	70	mm
4	Maximum Linear Resistance of Conductor at 20°C for				
	i. Phase Conductors		→	0.206	Ω/km
	ii. Neutral Messenger		→	0.500	Ω/km
5	Minimum Breaking Strength of				
	i. Phase Conductors		→	1800	daN
	ii. Neutral Messenger		→	2050	daN
6	Nominal Diameter of Strands of				
	i. Neutral Messenger		→	3.50	mm
7	Diameter of Bare Conductors				
	i. Phase Conductors	Max	→	15.00	mm
		Min	→	13.9	mm
	ii. Neutral Messenger	Max	→	10.3	mm
		Min	→	10.7	
8	Thickness of Insulating Sheath				
	i. Phase Conductors	Avg	→	1.8	mm ²
		Min	→	1.52	mm
	ii. Neutral Messenger	Avg	→	1.6	mm
		Min	→	1.34	mm
					At 1 point
9	Insulated Cable Outside Diameter				
	i. Phase Conductors	Max	→	18.8	mm
		Min	→	17.5	mm
	ii. Neutral Messenger	Max	→	14	mm
		Min	→	13.3	mm
10	Lay Direction Total Cable		→	Right Hand Side	
11	Co-Efficient Of Linear Expansion				
	i. AL Conductors		→	23 x 10 ⁻⁶	per °C
	ii. AL Alloy Conductors		→	23 x 10 ⁻⁶	per °C
12	Modules Of Elasticity				
	i. Aluminium Conductor		→	56000	Mpa
	ii. Aluminium Alloy Conductor		→	62000	Mpa
13	Current Carrying Capacity @ 30°C Air		→	344	A
14	Voltage Drop		→	0.46	V/A /km

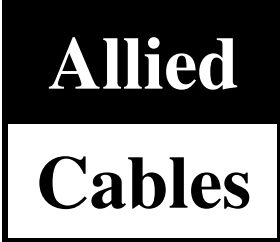
Continued.....

15	Assembly Lay Pitch	Max	→	1300	mm
		Min	→	1150	mm
16	Core Identification		→	Phase 01 - 1 Ridge	
			→	Phase 02 - 2 Ridges	
			→	Phase 03 - 3 Ridges	
			→	Neutral - Plain	
17	Markings Neutral Core		→	Embossing of Manufacturers Name	
18	Drum Length		→	1000ft (305m) with +/- 5% Tolerance	

R.A Arunajith Perera
Electrical Engineer
Technical Services Department
ACL



R.A Arunajith Perera
 Electrical Engineer
 Technical Services Department
 ACL



Allied Cables Ltd		Allied Works, Liverpool Road, Warrington, Cheshire WA5 1AP	
3 x 150 + 70mm² Aerial Bundled Cable			
Item Code: N - 46			
Checked: Eng.Ex		Approved: EE (TSD)	
Date:	22.11.2017	Scale:	not to scale