

Allied Export

Please find below a selection of our fast moving products, for full product list and further information please get in touch with us on +44 (0)1925 232662 or email us at mail@alliedexport.co.uk

LED AC DRIVERLESS FLOODLIGHTS



The new LED AC Driverless Floodlights include an aluminium LED tray and have a black finish.

Applications:

- Commercial Sites • Factories • Leisure Centres



Image shown FLAC100B

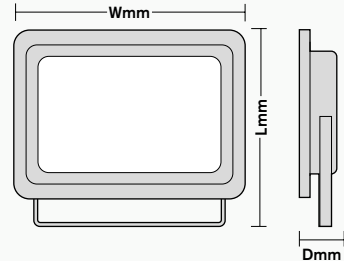
Specification

LED:	10-300pcs of SMD 2835
Material:	Aluminium
Colour Temperature:	6000K
Guarantee:	2 Years
Life Expectancy:	>30,000 Hours
Working Temperature:	-20°C - 45°C
Power Factor:	>0.9
Beam Angle:	>120°
CRI:	>80 Ra

Additional Information

- 80lm/W
- Black finish
- Driverless technology
- 3G 0.75mm² 50cm Cable included
- Mounting bracket included
- Internal white reflector
- H05RN-F

Dimensions



Code	Wattage	Lumen Output	Dimensions (L x W x D mm)
FLAC10B	10W	800lm	103 x 83 x 24
FLAC20B	20W	1600lm	160 x 122 x 25
FLAC30B	30W	2400lm	160 x 122 x 25
FLAC50B	50W	4000lm	206 x 160 x 31
FLAC100B	100W	8000lm	270 x 210 x 31
FLAC150B	150W	12,000lm	379 x 279 x 43
FLAC200B	200W	16,000lm	379 x 279 x 43
FLAC300B	300W	24,000lm	445 x 335 x 45

LED AC DRIVERLESS FLOODLIGHTS WITH PHOTOCELL



The LED AC Driverless Floodlights with Photocell are available in 100W-300W and have a black finish.

Applications:

- Commercial Sites • Factories • Leisure Centres



Image shown FLAC100BPC

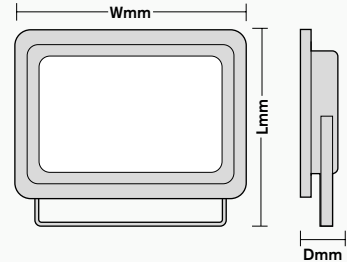
Specification

LED:	100-300pcs of SMD 2835
Material:	Aluminium
Colour Temperature:	6000K
Guarantee:	2 Years
Life Expectancy:	>30,000 Hours
Working Temperature:	-20°C - 45°C
Power Factor:	>0.9
Beam Angle:	>120°
CRI:	>80 Ra

Additional Information

- 80lm/W
- Black finish
- Driverless technology
- 3G 0.75mm² 50cm Cable included
- Mounting bracket included
- Photocell sensor
- Internal white reflector
- HO5RN-F

Dimensions



Code	Wattage	Lumen Output	Dimensions (L x W x D mm)
FLAC100BPC	100W	8000lm	270 x 210 x 31
FLAC150BPC	150W	12,000lm	379 x 279 x 43
FLAC200BPC	200W	16,000lm	379 x 279 x 43
FLAC300BPC	300W	24,000lm	445 x 335 x 45

LED AC DRIVERLESS FLOODLIGHTS WITH PIR



The LED AC Driverless Floodlights with PIR are available in 10W-50W and have a black finish.

Applications:

- Commercial Sites
- Factories
- Leisure Centres



Image shown FLAC10BPIR



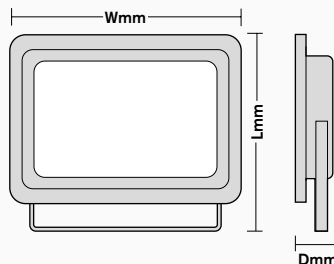
Specification

LED:	10-50pcs of SMD 2835
Material:	Aluminium
Colour Temperature:	6000K
Guarantee:	2 Years
Life Expectancy:	>30,000 Hours
Working Temperature:	-20°C - 45°C
Power Factor:	>0.9
Beam Angle:	>120°
CRI:	>80 Ra

Additional Information

- 80lm/W
- Black finish
- Driverless technology
- 3G 0.75mm² 50cm Cable included
- Mounting bracket included
- PIR Sensor
- Internal white reflector
- HO5RN-F

Dimensions



Code	Wattage	Lumen Output	Dimensions (L x W x D mm)
FLAC10BPIR	10W	800lm	103 x 155 x 50
FLAC20BPIR	20W	1600lm	160 x 193 x 52
FLAC30BPIR	30W	2400lm	160 x 193 x 52
FLAC50BPIR	50W	4000lm	206 x 216 x 54

LED SMD FLOODLIGHTS

The LED SMD Floodlights are robust and suitable for security and outdoor lighting. The bracket can accommodate full rotation.

Applications:

- Educational providers
- Factories
- Sports Facilities / Carparks



Image shown FLSMD50B-1

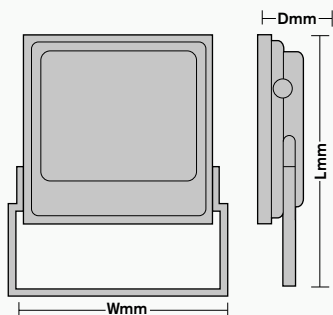
Specification

LED:	100-400pcs SMD 5730
Material:	Aluminium
Colour Temperature:	6500K
Guarantee:	3 Years
Life Expectancy:	35,000 Hours
Working Temperature:	-20°C - 40°C
Power Factor:	>0.9
Beam Angle:	120°
CRI:	>70 Ra

Additional Information

- 1m H05VV-F 3G1.4 Cable included
- Mounting bracket included
- Black finish
- Powder coated finish

Dimensions



Code	Wattage	Lumen Output	Dimensions (L x W x D mm)
FLSMD50B-1	50W	4000lm	310 x 315 x 65
FLSMD70B-1	70W	5600lm	320 x 325 x 90
FLSMD100B-1	100W	8000lm	320 x 325 x 90
FLSMD150B-1	150W	12,000lm	365 x 360 x 95
FLSMD200B-1	200W	16,000lm	420 x 425 x 125

LED SMD FLOODLIGHTS WITH PHOTOCELL

The LED SMD Floodlights are robust and suitable for security and outdoor lighting. The bracket can accommodate full rotation. They are supplied with a 'dusk to dawn' photocell.

Applications:

- Commercial sites
- Educational providers
- Factories



Image shown FLSMD100BPC

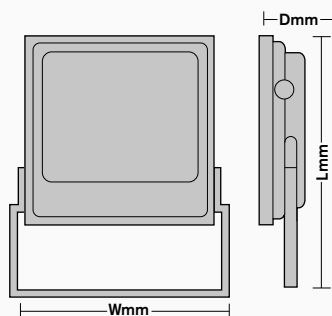
Specification

LED:	200-400pcs SMD 5730
Material:	Aluminium
Colour Temperature:	6500K
Guarantee:	3 Years
Life Expectancy:	35,000 Hours
Working Temperature:	-20°C - 40°C
Power Factor:	>0.9
Beam Angle:	120°
CRI:	>70 Ra

Additional Information

- 1m H05VV-F 3G1.0 Cable included
- Mounting bracket included
- Black finish
- Powder coated finish

Dimensions



Code	Wattage	Lumen Output	Dimensions (L x W x D mm)
FLSMD100BPC-1	100W	8000lm	320 x 325 x 90
FLSMD150BPC-1	150W	12000lm	365 x 360 x 95
FLSMD200BPC-1	200W	16,000lm	420 x 425 x 125

LED SMD 50W FLOODLIGHT WITH PIR

The LED SMD Floodlights are robust and suitable for security and outdoor lighting. The bracket can accommodate full rotation. The PIR includes an adjustment for time delay, light level and distance.

Applications:

- Educational providers • Factories • Residential



Image shown FLSMD50BPIR

Specification

LED: 100pcs SMD 5730

Material: Aluminium

Colour Temperature: 6500K

Guarantee: 3 Years

Life Expectancy: 35,000 Hours

Working Temperature: -20°C - 40°C

Power Factor: >0.9

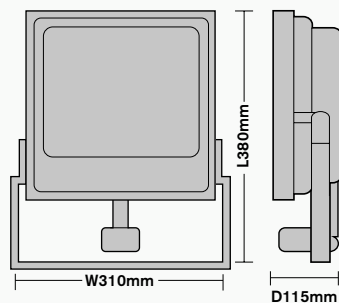
Beam Angle: 120°

CRI: >70 Ra

Additional Information

- 1m H05VV-F 3G1.0 Power cable included
- Mounting bracket included
- Black finish.
- Powder coated finish.

Dimensions



Code	Wattage	Lumen Output	Dimensions (L x W x D mm)
FLSMD50BPIR-1	50W	4000lm	380 x 310 x 115

ENDURALED POLYCARBONATE FLOODLIGHTS

The EnduraLED polycarbonate floodlights offer excellent economy, with a long lasting, weather resistant polycarbonate shell.

Application:

- Commercial sites
- Educational providers
- Leisure centres



Image shown FLSMDPC10B

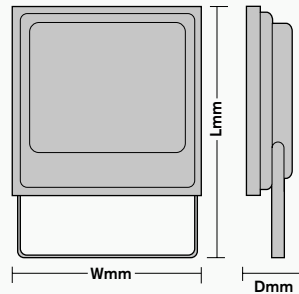
Specification

LED:	LF SMD
Material:	Polycarbonate and aluminium
Lumen Output:	800 - 4000lm
Colour Temperature:	6500K
Guarantee:	2 Years
Life Expectancy:	50,000 Hours
Working Temperature:	-20°C - 40°C
Beam Angle:	110°
CRI:	80 Ra

Additional Information

- 1m, 3 x 1mm² Power cable included
- Mounting bracket included
- Black finish.

Dimensions



Code	Wattage	Lumen Output	Dimensions (L x W x D mm)
FLSMDPC10B	10W	800lm	115 x 120 x 40
FLSMDPC20B	20W	4000lm	160 x 168 x 49
FLSMDPC30B	30W	2400lm	203 x 212 x 57
FLSMDPC50B	50W	1600lm	248 x 259 x 72

ENDURALED POLYCARBONATE FLOODLIGHTS WITH PIR



The EnduraLED polycarbonate floodlights with PIR offer excellent economy, with a long lasting, weather resistant polycarbonate shell.

Applications:

- Commercial sites
- Leisure centres
- Multi-storey car parks



Image shown FL5MDPC10BPIR

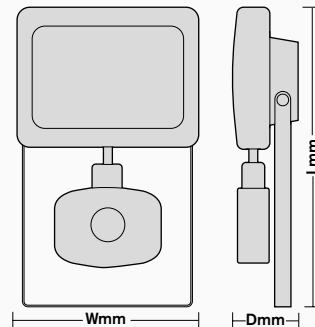
Specification

LED:	15-75pcs LF SMD
Material:	Polycarbonate
Lumen Output:	800-4000lm
Colour Temperature:	6500K
Guarantee:	2 Years
Life Expectancy:	50,000 Hours
Working Temperature:	-20°C - 40°C
Power Factor:	>0.9
Beam Angle:	110°
CRI:	80 Ra

Additional Information

- 1m Power cable included
- Mounting bracket included
- Black finish.
- For manual over-ride function of PIR switch off and on within six seconds for continuous use.
- To revert to sensor control switch off in excess of six seconds.

Dimensions



Code	Wattage	Lumen Output	Dimensions (L x W x D mm)
FL5MDPC10BPIR	10W	800lm	188 x 120 x 69
FL5MDPC20BPIR	20W	1600lm	225 x 168 x 71
FL5MDPC30BPIR	30W	2400lm	259 x 212 x 74
FL5MDPC50BPIR	50W	4000lm	297 x 259 x 79

LED ECO FLOODLIGHTS



The range of cost and energy efficient LED ECO Floodlights for indoor and outdoor use. Available in a selection of wattages, in either 3100K or 6400K colour temperatures and with black or white body finishes.

Application:

- Educational providers • Factories • Residential



Image shown LEDFLE30B

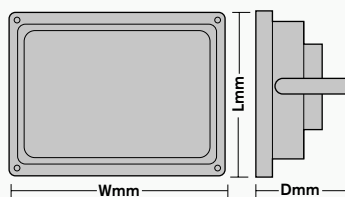
Specification

LED:	35mil Epiled COB Chip
Material:	Aluminium and tempered glass
Guarantee:	2 Years
Life Expectancy:	35,000 Hours
Working Temperature:	-20°C - 40°C
Power Factor:	>0.95
Beam Angle:	120°
CRI:	70 Ra

Additional Information

- 1m Power cable included
- Hexagonal key included
- Mounting bracket included
- Symmetrical reflector

Dimensions



Code	Wattage	Colour Temperature	Lumen Output	Colour	Dimensions (L x W x D mm)
LEDFLE10B-31	10W	3100K	750lm	Black	86 x 113 x 80
LEDFLE10B	10W	6400K	800lm	Black	86 x 113 x 80
LEDFLE10W	10W	6400K	800lm	White	86 x 113 x 80
LEDFLE20B-31	20W	3100K	1400lm	Black	140 x 180 x 125
LEDFLE20B	20W	6400K	1500lm	Black	140 x 180 x 125
LEDFLE20W	20W	6400K	1500lm	White	140 x 180 x 125
LEDFLE30B-31	30W	3100K	2250lm	Black	187 x 225 x 152
LEDFLE30B	30W	6400K	2400lm	Black	187 x 225 x 152
LEDFLE50B-31	50W	3100K	4250lm	Black	234 x 286 x 165
LEDFLE50B	50W	6400K	4500lm	Black	234 x 286 x 165

LED ECO FLOODLIGHTS WITH PIR

The LED ECO Floodlights with PIR are suitable for educational providers and factory locations.

Application:

- Educational providers • Factories • Residential



Image shown LEDFLE10BPIR-31

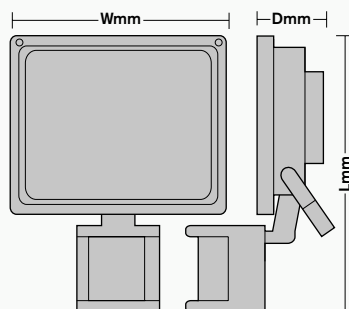
Specification

LED:	35mil Epiled
Material:	Aluminium and tempered glass
Guarantee:	2 Years
Life Expectancy:	35,000 Hours
Working Temperature:	-10°C - 40°C
Power Factor:	>0.95
Beam Angle:	120°
CRI:	70 Ra

Additional Information

- 1m Power cable included
- Mounting bracket included
- 4th Wire included to facilitate manual override and control of additional floodlights.
- 180° Detection angle.
- Hexagonal key included
- Black finish
- Symmetrical reflector

Dimensions



Code	Wattage	Lumen Output	Colour Temperature	Dimensions (L x W x D mm)
LEDFLE10BPIR-31	10W	750lm	3100K	158 x 113 x 80
LEDFLE10BPIR	10W	800lm	6400K	158 x 113 x 80
LEDFLE20BPIR-31	20W	1400lm	3100K	215 x 180 x 98
LEDFLE20BPIR	20W	1500lm	6400K	215 x 180 x 98
LEDFLE30BPIR-31	30W	2250lm	3100K	234 x 225 x 108
LEDFLE30BPIR	30W	2400lm	6400K	234 x 225 x 108
LEDFLE50BPIR-31	50W	4250lm	3100K	288 x 286 x 137
LEDFLE50BPIR	50W	4500lm	6400K	288 x 286 x 137

LED ECO FLOODLIGHTS WITH PHOTOCELL

The LED ECO Floodlight with Photocell is for indoor and outdoor use and is suitable for educational providers and factory locations.

Applications:

- Educational providers
- Factories
- Residential



Image shown LEDFLE50BPC

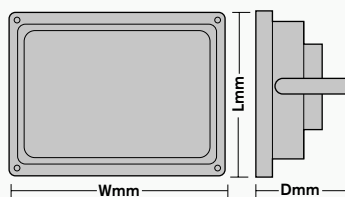
Specification

LED:	35mil Eplid
Material:	Aluminium and tempered glass
Lumen Output:	4500lm
Colour Temperature:	6400K
Guarantee:	2 Years
Life Expectancy:	35,000 Hours
Working Temperature:	-20°C - 40°C
Power Factor:	>0.95
Beam Angle:	120°
CRI:	70 Ra

Additional Information

- 1m Power cable included
- Mounting bracket included
- Hexagonal key included
- Black finish.
- Photocell ambient light: 6 Lux
- Photocell voltage: 220V, 50Hz
- Photocell wattage: ≤200W
- Symmetrical reflector

Dimensions



Code	Wattage	Lumen Output	Dimensions (L x W x D mm)
LEDFLE50BPC	50W	4500lm	170 x 290 x 240

LED FLOODLIGHTS

The LED Floodlights are suitable for indoor and outdoor use and include a one metre power cable.

Applications:

- Commercial Sites
- Factories
- Leisure Centres



Image shown LEDFL100B

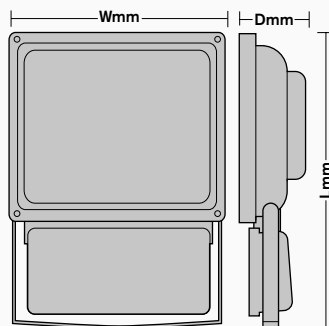
Specification

LED:	45mil Bridgelux COB LED
Material:	Die cast aluminium
Colour Temperature:	6500K
Guarantee:	3 Years
Life Expectancy:	35,000/ 50,000 Hours
Working Temp:	-20°C - 40°C
Beam Angle:	120°
CRI:	70 Ra

Additional Information

- 1m Power cable included
- Mounting bracket included
- Black finish.
- Hexagonal key included.

Dimensions



Code	Wattages	Lumen Output	Life Expectancy (Hours)	Dimensions (L x W x D mm)
LEDFL70B	70W	5600lm	35,000	405 x 328 x 120
LEDFL100B	100W	9000lm	50,000	360 x 290 x 100

LED 100W FLOODLIGHT WITH PHOTOCELL

A cost and energy efficient LED 100W Floodlight for both outdoor and indoor use and comes complete with a 'dusk to dawn' PhotoCell Sensor.

Applications:

- Commercial Sites
- Factories
- Leisure Centres



Image shown LEDFL100BPC



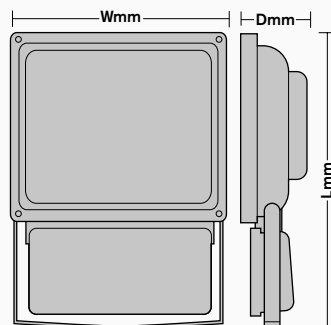
Specification

LED:	45mil Bridgelux COB
Material:	Die cast aluminium
Lumen Output:	9000lm
Colour Temperature:	6400K
Guarantee:	3 Years
Life Expectancy:	50,000 Hours
Working Temperature:	-20°C - 40°C
Beam Angle:	120°
CRI:	70 Ra

Additional Information

- 1m Pre-wired power cable included
- Mounting bracket included
- Black finish.
- Hexagonal key included

Dimensions



Code	Wattage	Lumen Output	Dimensions (L x W x D mm)
LEDFL100BPC	100W	9000lm	360 x 290 x 100

LED RECHARGEABLE FLOODLIGHTS



The LED Rechargeable Floodlights provide extremely useful and versatile lighting solutions for workplaces, tradesman, transport and camping etc. They are also supplied with in-vehicle and UK mains chargers.

Applications:

- Commercial Sites
- Factories
- Warehouses



Image shown LEDFL10YR

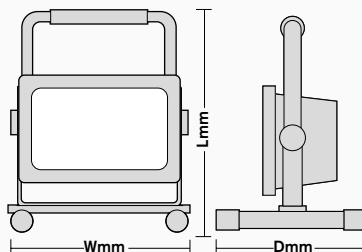
Specification

LED:	Genesis Chip
Material:	Aluminium / ABS body / Steel frame
Colour Temperature:	6000K
Guarantee:	2 Years
Life Expectancy:	500 Charge / discharge cycles
Working Temperature:	-10°C - 40°C
Beam Angle:	120°
CRI:	>70 Ra

Additional Information

- 12 - 24V DC Charger and UK mains charger included
- Lithium 8.4V 2200mAh battery included.
- Yellow finish

Dimensions



Code	Wattage	Lumen Output	Dimensions (L x W x D mm)
LEDFL10YR	10W	500lm	250 x 115 x 115
LEDFL20YR	20W	1000lm	300 x 159 x 159

LED SOLAR POWER SENSOR LIGHT

The LED Solar Power Sensor Light provides a unique 'wire-free' lighting solution for exterior applications.

Applications:

- Residential



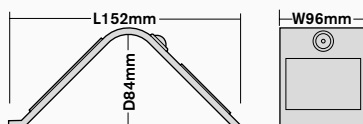
Specification

LED:	SMD 2835
Material:	Polycarbonate
Lumen Output:	200lm
Colour Temperature:	Front 6000K, Reverse 3000K
Guarantee:	1 Year
Life Expectancy:	25,000 Hours
Working Temperature:	0°C - 55°C
Beam Angle:	120°
CRI:	>80 Ra

Additional Information

- 2 - 6m Sensing range with a 10s time delay
- 5~95% R.H. humidity
- Black and white finish

Dimensions



Code	Wattage	Lumen Output	Dimensions (L x W x D mm)
SOLAPIR01	1.5W	200lm	152 x 96 x 84

LED SLIMLINE WALLPACKS

The LED 30W Slimline Wall Packs are available in standard, emergency and a photocell option.

Applications:

- Commercial Sites • Factories • Leisure Centres



Image shown WPS30

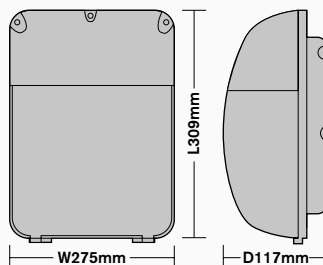
Specification

LED:	60pcs 0.5W Epistar 2838
Material:	Diecast aluminium base and polycarbonate diffuser
Lumen Output:	2400lm
Colour Temperature:	6400K
Guarantee:	4 Years
Life Expectancy:	40,000 Hours
Working Temperature:	-20°C - 45°C (0°C - 45°C in EM)
Power Factor:	>0.95
Beam Angle:	120°
CRI:	80 Ra

Additional Information

- 3.7V 2800mAH Lithium battery included

Dimensions



Code	Photocell	Emergency	Dimensions (L x W x D mm)
WPS30	No	No	309 x 275 x 117
WPS30PC	Yes	No	309 x 275 x 117
WPS30E	No	Yes	309 x 275 x 117
WPS30EPC	Yes	Yes	309 x 275 x 117